



Specifications

Power Required:	41372	41342
V Option: 8-24 VDC	9 mA	5 mA
L Option: 12-30 VDC	40 mA	20 mA

RELATIVE HUMIDITY: (41372)

Operating Temperature: -10 to 60 °C (14 to 140 °F)
(Below -10 °C, accuracy reduced)

Measuring Range: 0-100 %RH

Accuracy at 20 °C: ±3 % from 10 to 90 %RH,
±4 % from 0 to 10 % & 90 to 100 %RH

Stability: Better than ±2 %RH over 2 years

Time Constant: 15 seconds

Sensor Type: Vaisala Intercap

Output Signal: V option: 0-1 VDC,
L option: 4-20 mA

TEMPERATURE: (41372, 41342)

Calibrated Measuring Range:

-50 to 50 °C (suffix C)

-50 to 150 °F (suffix F)

Time Constant: 42 seconds with
Model 43408 Aspirated Radiation Shield

Accuracy at 0 °C: ±0.3 °C**
±0.1 °C (optional) with NIST traceable calibration

Sensor Type: 1000 Ω Platinum RTD

Output Signal: V Option: 0-1 VDC,
L Option: 4-20 mA, 4 wire RTD (41342 only)

Recommended Radiation Shields:

Model 41002P Gill Multi-Plate Radiation Shield
Model 43408P Gill Aspirated Radiation Shield

**Differential measurement recommended with V option.

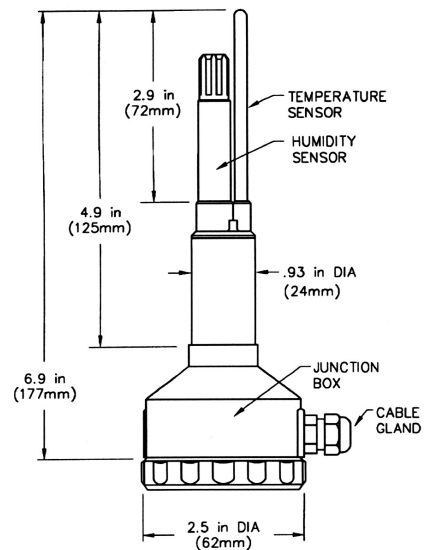
The **Model 41372 Relative Humidity/Temperature Probe** combines a high accuracy, capacitance type humidity sensor and 1000 ohm Platinum RTD temperature sensor in one probe. This probe offers a choice of 0-1 VDC or 4-20 mA outputs for T and RH. **Model 41342 Temperature Probe** offers accurate temperature-only measurement. Three output options are available: 0-1 VDC, 4-20 mA, and 4 wire RTD. Probes are easily installed in YOUNG naturally ventilated (multi-plate) and aspirated radiation shields. A junction box is provided for cable terminations.

Ordering Information

	SENSOR CABLE	MODEL
RELATIVE HUMIDITY/TEMP PROBE 4-20 mA output.....	18723	41372L*
RELATIVE HUMIDITY/TEMP PROBE 0-1 VDC output.....	18446	41372V*
TEMPERATURE PROBE 4 wire RTD output	18723	41342
TEMPERATURE PROBE 4-20 mA output	18641	41342L*
TEMPERATURE PROBE 0-1 VDC output	18443	41342V*

*Specify °F or °C

Copyright © 2001 R.M. Young Company. Specifications subject to change without notice. Printed in U.S.A. 9/01



CE Complies with applicable CE Directives



R. M. YOUNG COMPANY
2801 Aero Park Drive
Traverse City, Michigan 49686 U.S.A.
TEL: (231) 946-3980 FAX: (231) 946-4772
E-mail: met.sales@youngusa.com
Web Site: www.youngusa.com

Distributor in South Africa Inteltronics Instrumentation

Uitsig, De Kroon, Brits
P.O. Box 181, Brits, 0250, S.A
TEL: +27 (0)12 250 2403
FAX: +27 (0)12 250 2809
E-mail: itronics@icon.co.za
Web Site: www.inteltronics.co.za